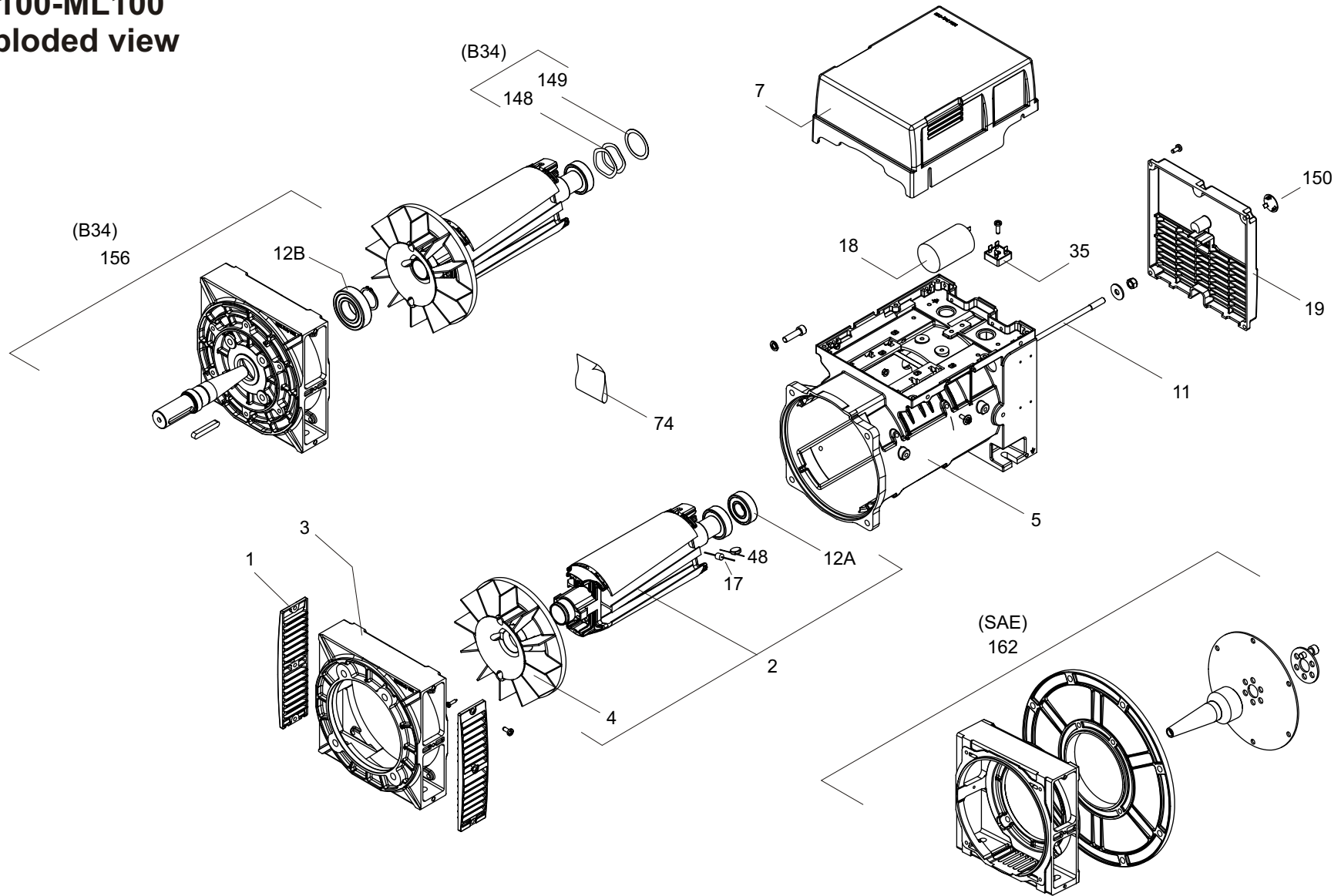


# M100-ML100 exploded view



**Lista Ricambi M-ML100 - M-ML100 Spare Parts List - Pièces Détachées M-ML100**

| N. | q.ty | CODE       | descrizione                                    | description  | description   |
|----|------|------------|--|--|---|
| 1  | 2    | 1GGA10010  | cuffia espulsione aria IP23                    | IP23 outlet grid                                   | Grille de protection IP23                                 |
| 2  | 1    | 5AA1219--  | Rotore avvolto completo M100 SE (4-12A-17-48)  | complete Wound rotor - M100 SE (with 4-12A-17-48)  | Roue polaire bobiné complet - M100 SE (avec 4-12A-17-48)  |
| 2  | 1    | 5AA1219--  | Rotore avvolto completo M100 SF (4-12A-17-48)  | complete Wound rotor - M100 SF (with 4-12A-17-48)  | Roue polaire bobiné complet - M100 SF (avec 4-12A-17-48)  |
| 2  | 1    | 5AA1219--  | Rotore avvolto completo M100 SG (4-12A-17-48)  | complete Wound rotor - M100 SG (with 4-12A-17-48)  | Roue polaire bobiné complet - M100 SG (avec 4-12A-17-48)  |
| 2  | 1    | 5AA1219--  | Rotore avvolto completo M100 LH (4-12A-17-48)  | complete Wound rotor - M100 LH (with 4-12A-17-48)  | Roue polaire bobiné complet - M100 LH (avec 4-12A-17-48)  |
| 2  | 1    | 5AA1219--  | Rotore avvolto completo M100 LL (4-12A-17-48)  | complete Wound rotor - M100 LL (with 4-12A-17-48)  | Roue polaire bobiné complet - M100 LL (avec 4-12A-17-48)  |
| 2  | 1    | 5AL1219--  | Rotore avvolto completo ML100 SG (4-12A-17-48) | complete Wound rotor - ML100 SG (with 4-12A-17-48) | Roue polaire bobiné complet - ML100 SG (avec 4-12A-17-48) |
| 2  | 1    | 5AL1219--  | Rotore avvolto completo ML100 LH (4-12A-17-48) | complete Wound rotor - ML100 LH (with 4-12A-17-48) | Roue polaire bobiné complet - ML100 LH (avec 4-12A-17-48) |
| 2  | 1    | 5AL1219--  | Rotore avvolto completo ML100 LL (4-12A-17-48) | complete Wound rotor - ML100 LL (with 4-12A-17-48) | Roue polaire bobiné complet - ML100 LL (avec 4-12A-17-48) |
| 3  | 1    | 3SLA10012  | scudo anteriore J609b C22-25,4-35              | drive end bracket - J609b C22-25,4-35              | Flasque avant - J609b C22-25,4-35                         |
| 3  | 1    | 3SLA10013  | scudo anteriore C23-30                         | drive end bracket - C23-C30                        | Flasque avant - C23-C30                                   |
| 3  | 1    | 3SLA10017  | scudo anteriore B34                            | drive end bracket - B34                            | Flasque avant - B34                                       |
| 4  | 1    | 1VGA10003  | ventola  | fan  | Ventilateur   |
| 5  | 1    | 5FA1208--  | Carcassa avvolta M100 SE                       | Wound frame M100 SE                                | Carcasse bobiné M100 SE                                   |
| 5  | 1    | 5FA1208--  | Carcassa avvolta M100 SF                       | Wound frame M100 SF                                | Carcasse bobiné M100 SF                                   |
| 5  | 1    | 5FA1208--  | Carcassa avvolta M100 SG                       | Wound frame M100 SG                                | Carcasse bobiné M100 SG                                   |
| 5  | 1    | 5FA1208--  | Carcassa avvolta M100 LH                       | Wound frame M100 LH                                | Carcasse bobiné M100 LH                                   |
| 5  | 1    | 5FA1208--  | Carcassa avvolta M100 LL                       | Wound frame M100 LL                                | Carcasse bobiné M100 LL                                   |
| 5  | 1    | 5FL1208--  | Carcassa avvolta ML100 SG                      | Wound frame ML100 SG                               | Carcasse bobiné M100 SG                                   |
| 5  | 1    | 5FL1208--  | Carcassa avvolta ML100 LH                      | Wound frame ML100 LH                               | Carcasse bobiné M100 LH                                   |
| 5  | 1    | 5FL1208--  | Carcassa avvolta ML100 LL                      | Wound frame ML100 LL                               | Carcasse bobiné M100 LL                                   |
| 7  | 1    | 1GGA100122 | coperchio basso chiuso                         | blind low top cover                                | Couvercle bas sans trous                                  |
| 7  | 1    | 1GGA10013  | coperchio alto                                 | High top cover                                     | Couvercle haut  |

**Lista Ricambi M-ML100 - M-ML100 Spare Parts List - Pièces Détachées M-ML100**

| N.  | q.ty | CODE       | descrizione                   | description                              | description                           |
|-----|------|------------|-------------------------------|--|---------------------------------------|
| 7   | 1    | 91X...     | kit coperchio cablato         | Kit top cover                            | kit couvercle                         |
| 11  | 1    | 7TZME08--- | Tirante rotore                | rotor rod                                | Tige de roue polaire                  |
| 12A | 1    | 7CV62042R  | Cuscinetto                    | ball bearing                             | Roulement                             |
| 12B | 1    | 7CV62062R  | Cuscinetto per B34            | Ball bearing for B34                     | Roulement pour B34                    |
| 17  | 2    | KDP6A12    | Diodo rotore                  | rotor diode                              | Diode                                 |
| 18  | 1    | 7MEC030    | Condensatore 30 µF 450V       | Capacitor 30 µF 450V                     | Condensateur 30 µF 450V               |
| 18  | 1    | 7MEC035    | Condensatore 35 µF 450V       | Capacitor 35 µF 450V                     | Condensateur 35 µF 450V               |
| 18  | 1    | 7MEC040    | Condensatore 40 µF 450V       | Capacitor 40 µF 450V                     | Condensateur 40 µF 450V               |
| 18  | 1    | 7MEC045    | Condensatore 45 µF 450V       | Capacitor 45 µF 450V                     | Condensateur 45 µF 450V               |
| 18  | 1    | 7MEC050    | Condensatore 50 µF 450V       | Capacitor 50 µF 450V                     | Condensateur 50 µF 450V               |
| 19  | 1    | 1GGA10011  | Cuffia aspirazione cieca      | Blind cover                              | Couvercle arriere sans trous          |
| 19  | 1    | 91...      | Cuffia aspirazione cablata    | wired cover                              | Couvercle arriere câblé               |
| 35  | 1    | KPD25A02   | Ponte raddrizzatore per CB    | B.C. rectifier bridge                    | Pont redresseur pour C.B.             |
| 48  | 2    | KVZ14L781  | Varistore                     | varistor                                 | varistor                              |
| 74  | 1    | 7ATSH10M1  | sacchetto viteria             | assembling screw kit                     | Kit vis pour l'assemblage             |
| 148 | 2    | 7OC047     | Anello compensazione (B34)    | compensation ring (B34)                  | Bague de compensation (B34)           |
| 149 | 1    | 7OP04710   | Anello di spessoramento (B34) | shimming ring (B34)                      | Bague(B34)                            |
| 150 | 1    | 7PRTS0232  | tappo di chiusura             | plastic plug                             | Bouchon                               |
| 156 | 1    | 7ATK110    | Kit scudo B34 (con 12B)       | Drive end bracket kit for B34 (with 12B) | Kit Flasque avant pour B34 (avec 12B) |
| 162 | 1    | 3ATKSH---  | Kit SAE                       | Kit SAE                                  | Kit SAE                               |

nella richiesta di parti di ricambio, Vi preghiamo di comunicare sempre il tipo di alternatore/optional e le relative caratteristiche

On requesting of spare parts, please always indicate alternator/optional type and its characteristics

Nous vous prions d'indiquer toujours, dans vos commandes de pièces de rechanges, la description e les caracteristiques de la machine/optional