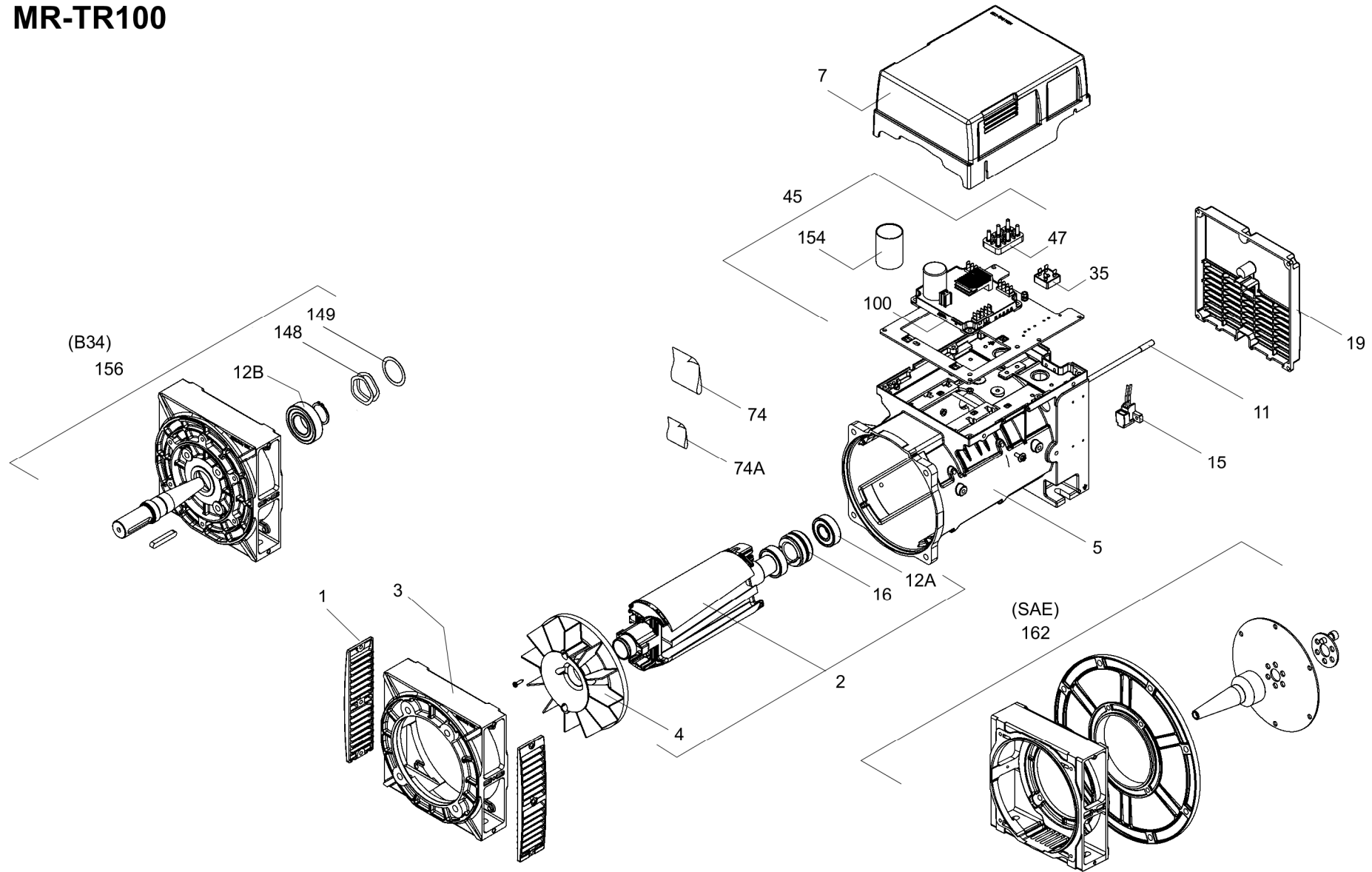


MR-TR100



| TR100 MR100 | | lista ricambi | spare part list | pièces détachées | |
|---------------|-----|-----------------------|---------------------------------------|---------------------------------------|--------------------------------------|
| ref | qty | code | descrizione | description | description |
| 1 | 2 | 1GGA10010 | cuffia espulsione aria IP23 | IP23 outlet grid | Grille de protection IP23 |
| 2 | 1 | 5AA1217[...] | Rotore avvolto TR100 SA | Wound rotor TR100 SA | Rotor bobiné TR100 SA |
| 2 | 1 | 5AA1217[...] | Rotore avvolto TR100 SC | Wound rotor TR100 SC | Rotor bobiné TR100 SC |
| 2 | 1 | 5AA1217[...] | Rotore avvolto TR100 LA | Wound rotor TR100 LA | Rotor bobiné TR100 LA |
| 2 | 1 | 5AA1217[...] | Rotore avvolto TR100 LB | Wound rotor TR100 LB | Rotor bobiné TR100 LB |
| 2 | 1 | 5AA1217[...] | Rotore avvolto MR100 SF | Wound rotor MR100 SF | Rotor bobiné MR100 SF |
| 2 | 1 | 5AA1219[...] | Rotore avvolto MR100 LG | Wound rotor MR100 LG | Rotor bobiné MR100 LG |
| 2 | 1 | 5AA1217[...] | Rotore avvolto MR100 LH | Wound rotor MR100 LH | Rotor bobiné MR100 LH |
| 2 | 1 | 5AA1217[...] | Rotore avvolto MR100 LL | Wound rotor MR100 LL | Rotor bobiné MR100 LL |
| 3 | 1 | 3SLA10012 | scudo anteriore J609B C22-25,4-35 | drive end bracket - J609b C22-25,4-35 | Flasque avant - J609b C22-25,4-35 |
| 3 | 1 | 3SLA10013 | scudo anteriore C23-30 | drive end bracket - C23-C30 | Flasque avant - C23-C30 |
| 3 | 1 | 3SLA10017 | scudo anteriore B34 | drive end bracket - B34 | Flasque avant - B34 |
| 4 | 1 | 1VGA10003 | ventola | fan | Ventilateur |
| 5 | 1 | 5FR1207[...] | Carcassa avvolta TR100 SA | Wound frame TR100 SA | Carcasse bobiné TR100 SA |
| 5 | 1 | 5FR1207[...] | Carcassa avvolta TR100 SC | Wound frame TR100 SC | Carcasse bobiné TR100 SC |
| 5 | 1 | 5FR1207[...] | Carcassa avvolta TR100 LA | Wound frame TR100 LA | Carcasse bobiné TR100 LA |
| 5 | 1 | 5FR1207[...] | Carcassa avvolta TR100 LB | Wound frame TR100 LB | Carcasse bobiné TR100 LB |
| 5 | 1 | 5FR1208[...] | Carcassa avvolta MR100 SF | Wound frame MR100 SF | Carcasse bobiné MR100 SF |
| 5 | 1 | 5FR1208[...] | Carcassa avvolta MR100 LG | Wound frame MR100 LG | Carcasse bobiné MR100 LG |
| 5 | 1 | 5FR1208[...] | Carcassa avvolta MR100 LH | Wound frame MR100 LH | Carcasse bobiné MR100 LH |
| 5 | 1 | 5FR1208[...] | Carcassa avvolta MR100 LL | Wound frame MR100 LL | Carcasse bobiné MR100 LL |
| 7 | 1 | 1GGA100122 | coperchio basso chiuso | Blind top cover | Couvercle sans trous |
| 7 | 1 | 1GGA10013 | coperchio alto | High top cover | Couvercle haut |
| 11 | 1 | 7TZ[...] | Tirante rotore | rotor rod | Tige de Rotor |
| 12A | 1 | 7CV62042R | Cuscinetto | ball bearing | Roulement |
| 12B | 1 | 7CV62062R | Cuscinetto per B34 | Ball bearing for B34 | Roulement pour B34 |
| 15 | 1 | 3PSM04080R | portaspazzole completo | complete brush holder | Porte-balais complete |
| 16 | 1 | 7COG0502 | Collettore | slip ring | Bagues |
| 19 | 1 | 1GGA10011 | Cuffia aspirazione cieca | Blind cover | Couvercle arriere sans trous |
| 35 | 1 | KPD25A02 | Ponte raddrizzatore per CB | B.C. rectifier bridge | Pont redresseur pour C.B. |
| 45 | 1 | 5CA1206[...] | Gruppo completo AVR | complete AVR bracket | Groupe complet châssis pour AVR |
| 47 | 1 | 3MTP06[...] | morsettiera | Terminal board | Plaque a bornes |
| 47 | 1 | 7MTP060502 | sostituito | replaced | remplacé |
| 74 | 1 | 7ATSH10M1 | sacchetto viteria | assembling screw kit | Kit vis pour l'assemblage |
| 74 | 1 | 7ATSH10T | sostituito | replaced | remplacé |
| 74A | 1 | 7ATSH10TM5 | sacchetto viteria morsettiera (TR100) | Terminal board screw kit (TR100) | Kit vis pour plaque à bornes (TR100) |
| 100 | 1 | KVR0860T | regolatore AVR | AVR voltage regulator | regulateur AVR |
| 148 | 2 | 7OC047 | Anello compensazione B34 | compensation ring B34 | Bague de compensation B34 |

| TR100 MR100 | | lista ricambi | spare part list | pièces détachées | |
|---------------|-----|---------------|---|---|--|
| ref | qty | code | descrizione | description | description |
| 149 | 1 | 7OP04710 | Anello di spessoramento B34 | shimming ring B34 | Bague B34 |
| 154 | 1 | KCFMR100 | filtro EMC MR | EMC filter MR | filtre EMC MR |
| 154 | 1 | KCFTR100 | filtro EMC TR | EMC filter TR | filtre EMC TR |
| 156 | 1 | 7ATK110 | Kit scudo B34 | Drive end bracket kit for B34 | Kit Flasque avant pour B34 |
| 162 | 1 | 3ATKSH[...] | Kit SAE | Kit SAE | Kit SAE |
| | | | si prega comunicare sempre tipo di alternatore e relative caratteristiche | Please, always indicate alternator type and its characteristics | Nous vous prions d'indiquer toujours la description e les caracteristiques de la machine |