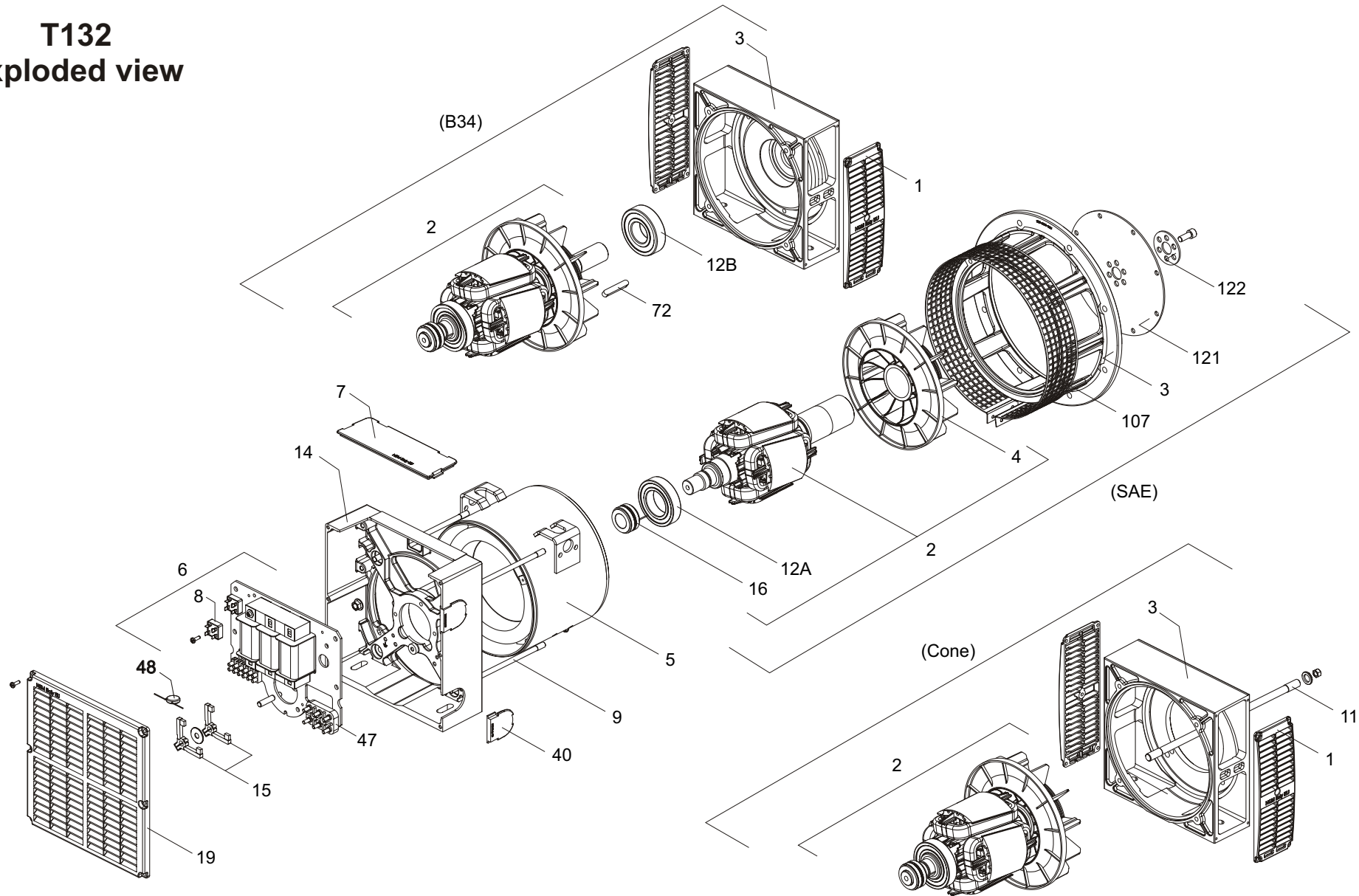


# T132 exploded view



**Lista Ricambi T132 - T132 Spare Parts List - Pièces Détachées T132**

N.	q.ty	CODE	descrizione	description	description
1	2	1GGA30009	cuffia espulsione aria IP23	IP23 outlet grid	Grille de protection IP23
2	1	5AA340--	Rotore avvolto completo T132 XSA/4 (4-12A-16)	complete Wound rotor T132 XSA/4 (4-12A-16)	Roue polaire bobiné complet T132 XSA/4 (4-12A-16)
2	1	5AA340--	Rotore avvolto completo T132 XSB/4 (4-12A-16)	complete Wound rotor T132 XSB/4 (4-12A-16)	Roue polaire bobiné complet T132 XSB/4 (4-12A-16)
2	1	5AA340--	Rotore avvolto completo T132 SA/4 (4-12A-16)	complete Wound rotor T132 SA/4 (4-12A-16)	Roue polaire bobiné complet T132 SA/4 (4-12A-16)
2	1	5AA340--	Rotore avvolto completo T132 SB/4 (4-12A-16)	complete Wound rotor T132 SB/4 (4-12A-16)	Roue polaire bobiné complet T132 SB/4 (4-12A-16)
2	1	5AA340--	Rotore avvolto completo T132 MA/4 (4-12A-16)	complete Wound rotor T132 MA/4 (4-12A-16)	Roue polaire bobiné complet T132 MA/4 (4-12A-16)
2	1	5AA340--	Rotore avvolto completo T132 LA/4 (4-12A-16)	complete Wound rotor T132 LA/4 (4-12A-16)	Roue polaire bobiné complet T132 LA/4 (4-12A-16)
2	1	5AA340--	Rotore avvolto completo T132 LB/4 (4-12A-16)	complete Wound rotor T132 LB/4 (4-12A-16)	Roue polaire bobiné complet T132 LB/4 (4-12A-16)
3	1	3SLA30012	scudo anteriore C30	Coupling flange, C30	Flasque avant C30
3	1	3SLA300121	scudo anteriore J609B	Coupling flange, J609B	Flasque avant J609B
3	1	3SLA30013	scudo anteriore B34	Coupling flange, B34	Flasque avant B34
3	1	3SLA30014	scudo anteriore SAE 5	Coupling flange, SAE 5	Flasque avant SAE 5
3	1	3SLA30015	scudo anteriore SAE 4	Coupling flange, SAE 4	Flasque avant SAE 4
3	1	3SLA30016	scudo anteriore SAE 3	Coupling flange, SAE 3	Flasque avant SAE 3
4	1	1VGA30002	ventola	fan	Ventilateur
4	1	1VGA300021	disco ventola SAE - 132 M/L	SAE fan disk - 132 M/L	Disque ventilateur pour SAE - 132 M/L
5	1	5FA341--	Carcassa avvolta T132 XSA/4	Wound frame T132 XSA/4	Carcasse bobiné T132 XSA/4
5	1	5FA341--	Carcassa avvolta T132 XSB/4	Wound frame T132 XSB/4	Carcasse bobiné T132 XSB/4
5	1	5FA341--	Carcassa avvolta T132 SA/4	Wound frame T132 SA/4	Carcasse bobiné T132 SA/4
5	1	5FA341--	Carcassa avvolta T132 SB/4	Wound frame T132 SB/4	Carcasse bobiné T132 SB/4
5	1	5FA341--	Carcassa avvolta T132 MA/4	Wound frame T132 MA/4	Carcasse bobiné T132 MA/4
5	1	5FA341--	Carcassa avvolta T132 LA/4	Wound frame T132 LA/4	Carcasse bobiné T132 LA/4
5	1	5FA341--	Carcassa avvolta T132 LB/4	Wound frame T132 LB/4	Carcasse bobiné T132 LB/4
6	1	5CA341--	Gruppo compound completo T132 XSA/4 (con 8-47)	complete compound set T132 XSA/4 (with 8-47)	Groupe compound complet T132 XSA/4 (avec 8-47)
6	1	5CA341--	Gruppo compound completo T132 XSB/4 (con 8-47)	complete compound set T132 XSB/4 (with 8-47)	Groupe compound complet T132 XSB/4 (avec 8-47)
6	1	5CA341--	Gruppo compound completo T132 SA/4 (con 8-47)	complete compound set T132 SA/4 (with 8-47)	Groupe compound complet T132 SA/4 (avec 8-47)

**Lista Ricambi T132 - T132 Spare Parts List - Pièces Détachées T132**

N.	q.ty	CODE	descrizione	description	description
6	1	5CA341--	Gruppo compound completo T132 SB/4 (con 8-47)	complete compound set T132 SB/4 (with 8-47)	Groupe compound complet T132 SB/4 (avec 8-47)
6	1	5CA341--	Gruppo compound completo T132 MA/4 (con 8-47)	complete compound set T132 MA/4 (with 8-47)	Groupe compound complet T132 MA/4 (avec 8-47)
6	1	5CA341--	Gruppo compound completo T132 LA/4 (con 8-47)	complete compound set T132 LA/4 (with 8-47)	Groupe compound complet T132 LA/4 (avec 8-47)
6	1	5CA341--	Gruppo compound completo T132 LB/4 (con 8-47)	complete compound set T132 LB/4 (with 8-47)	Groupe compound complet T132 LB/4 (avec 8-47)
7	1	1GGA30007	coperchio superiore	top cover	Couvercle supérieur
8	1	KPDT25A12B	Ponte raddrizzatore alternatore	Alternator rectifier bridge	Pont redresseur de alternateur
9	4	7TZME10---	Tiranti fissaggio scudi	Rods for bracket fixing	Tiges pour fixation de flasques
11	1	7TZME14---	Tirante rotore cono	Cone rotor rod	Tige de roue polaire pour cone
12A	1	7CV62102R	Cuscinetto	ball bearing	Roulement
12B	1	7CV63082R	Cuscinetto per B34	Ball bearing for B34	Roulement pour B34
14	1	3SLA30011	scudo posteriore	no drive end bracket	Flasque arriere
15	2	7PSC0510	portaspazzole	brush holder	Porte-balais
	1	7RNPN1001	Rondella nylon	nylon washer	Rondelle en nylon
16	1	7COG0502	Collettore	slip ring	Bagues
19	1	1GGA30006	Cuffia aspirazione	inlet cover	Couvercle arriere
40	2	1GGA30008	coperchio laterale	side cover	Couvercle latérale
47	1	7MTP0606	morsettiera 6 perni M6	6 studs terminal board - M6	Plaque à 6 bornes - M6
47	1	7MTP06081	morsettiera 6 perni M8	6 studs terminal board - M8	Plaque à 6 bornes - M8
48	1	KVZ12A420	Varistore	varistor	varistor
72	1	7L1008060	Linguetta B34	B34 key	Languette B34
107	1	2GGA300--	Rete protezione SAE	SAE protection-screen	Grille de protection SAE
121	1	7ATDIH00-	Disco accoppiamento SAE	SAE Coupling flexplate	Disque d'accouplement SAE
122	1	7ATGFH001	rondella di fissaggio SAE	fixing washer for SAE	rondelle de fixage pour SAE

nella richiesta di parti di ricambio Vi preghiamo di comunicare sempre il tipo di alternatore/optional e le relative caratteristiche

On requesting of spare parts, please always indicate alternator/optional type and its characteristics

Nous vous prions d'indiquer toujours, dans vos commandes de pièces de rechanges, la description e les caracteristiques de la machine/optional