

PMG-WG A - SR

Permanent Magnet Generator for Wind Microturbines



PMG-WG is a high efficiency, low rpm, variable speed generator manufactured with permanent magnets for an unquestionable high power density and remarkably compact size.

The rich range of available output powers and mechanical configurations offers a great choice of versatile and easily assembled solutions.

Shaped for direct drive applications, **PMG-WG** needs no gearboxes, nor maintenance, and is suitable for use in all environments.

NSM long-time experience in variable speed, R&D endeavours and accurate testing are the key factors in the achievement of **very low cogging** generators, so that the turbine starts spinning even with minimum wind and water speed.

PMG-WG for microturbines supply continuous output power **from 0,5kVA (415rpm) to 4kVA (415rpm)**, with high overload capacity (max kVA) for limited time spans.

Highly customized solutions for special projects can be developed on request.

In these configurations, the fixed part (inner wound stator) and rotating part (outer rotor with magnets) are supplied separately, for the customer to adopt the adequate technical solutions in terms of coupling and retaining structure.

Technical characteristics

Standard voltage 380V
Other voltages on request

Insulation class H

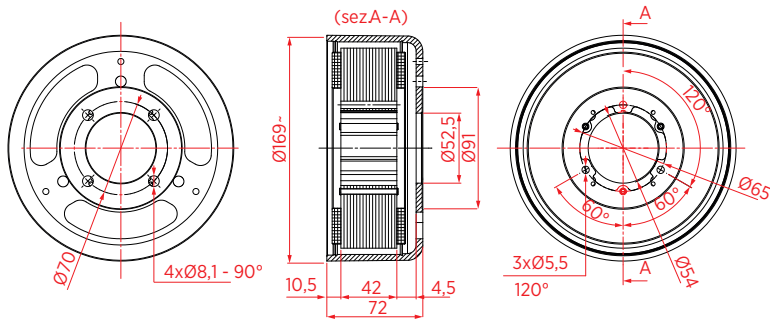
Protection IP 00

Model	Power [kVA]	Max Power [kVA]	Cogging [Nm]	rpm	Weight	
					A [kg]	SR [kg]
	cosφ 1	cosφ 1			A	SR
					[kg]	[kg]
PMG-WG 150SC-22	0,5	0,6	< 0,25	415	7	---
PMG-WG 150SC-16	0,7	1	< 0,60	415	7	---
PMG-WG 185SC	1,2	1,8	< 0,60	415	---	10,5
PMG-WG 185MA	2	3,6	< 1,20	415	---	17,5
PMG-WG 185LA	4	5,8	<1,60	415	---	24,5

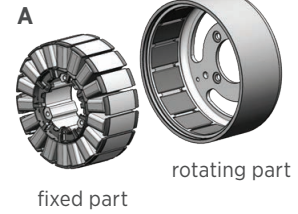
Overall Dimensions

A

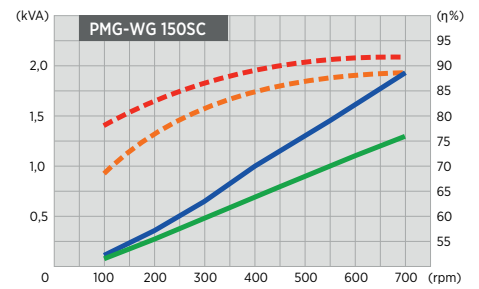
PMG-WG 150



PMG-WG 150

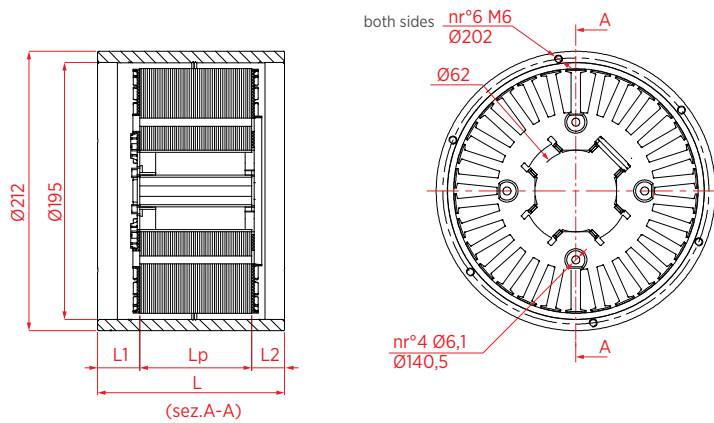


Efficiency Chart

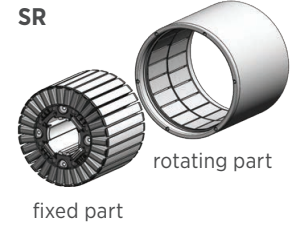


SR

PMG-WG 185

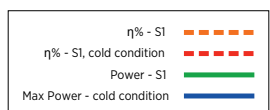
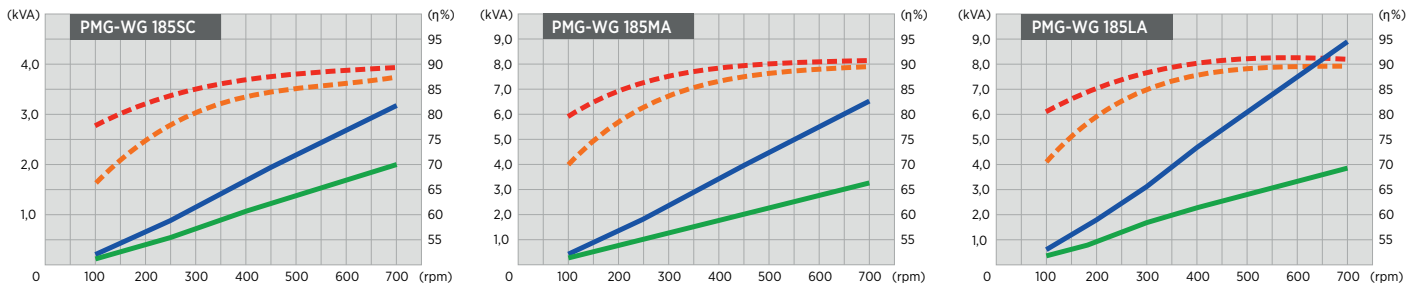


PMG-WG 185



	L	Lp	L1	L2
PMG-WG 185SC	99	42	32	25
PMG-WG 185MA	142	85	32	25
PMG-WG 185LA	186	120	37	29

Efficiency Charts



Technical data not binding. NSM reserves the right to modify the contents without prior notice.

NSM S.r.l.

Via Lazio 5/b
36015 Schio | Vicenza | Italy

T +39 0445 595888
F +39 0445 595800

info@nsmsrl.it
www.nsmsrl.it

