

PMG-DC

Permanent Magnet Generator DC Output



PMG-DC is a complete range of Permanent Magnet Generators with DC output thanks to the built-in rectifier bridges, either on the top or back side of the housing.

Super compact, brushless and bearingless for easier maintenance, this generator is suitable for both fixed or variable speed applications.

Technical characteristics

Nominal voltage 12 / 24 / 48 or 60Vdc (alternatively)

Insulation class H

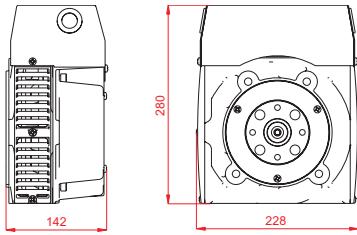
Protection IP 21

Model	Max Power		Max Current		Max Power		Max Current		Weight	
	[kW]	[A]	[kW]	[A]	[kW]	[A]	[kW]	[A]	cone [kg]	SAE [kg]
	1500rpm		2000rpm		2400rpm		3000rpm			
PMG-DC 150SB	1,7	50	2,4	60	3	65	4	65	10,5	----
PMG-DC 150SC	3	80	4	100	4,8	110	6	110	11,5	----
PMG-DC 185SC	4,5	140	6,5	150	8	160	10	160	17	16
PMG-DC 185PC	4,5	240	6,5	250	8	270	10	300	----	18
PMG-DC 185SF	7,5	140	10	150	13	160	18	160	21	20
PMG-DC 185PF	7,5	240	10	250	13	270	18	300	----	22
PMG-DC 295SB	13	80	17	100	19	110	23	110	----	40
PMG-DC 295RB	13	520	17	550	19	580	23	600	----	41,5
PMG-DC 295SF	21	80	27	100	30	110	36	110	----	47,5
PMG-DC 295RF	21	520	27	550	30	580	36	600	----	49,5
PMG-DC 295MH	28	80	36	100	40	110	50	110	----	60
PMG-DC 295PH	28	520	36	550	40	580	50	600	----	63,5

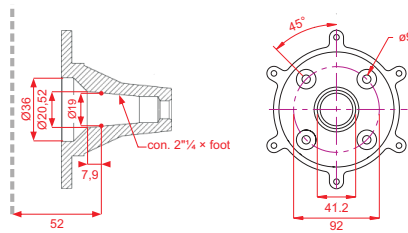
Refer to the above table to find the suitable model, depending on the desired voltage.

Overall Dimensions

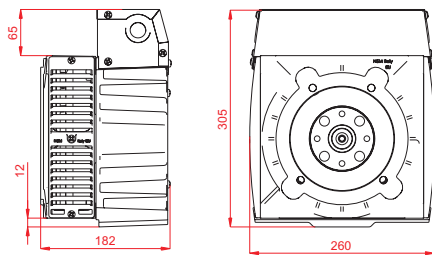
CONE PMG 150



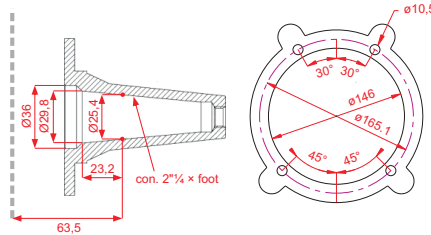
J609a
C 19



PMG 185



J609b
C 25,4
C 35

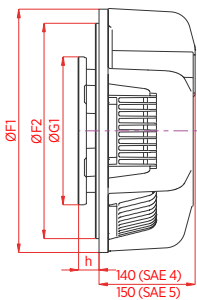


Cone	J609a	J609b
PMG 150	x	x
PMG 185		x

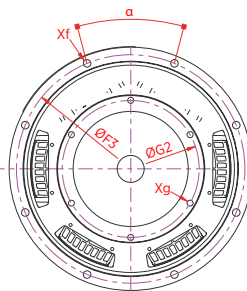
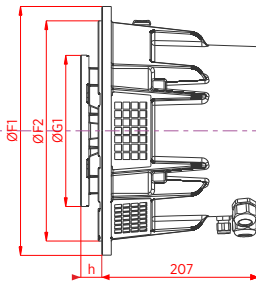
C23-C30 on request.

SAE

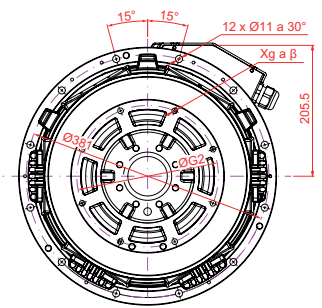
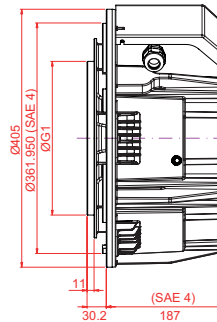
PMG 185 185S-



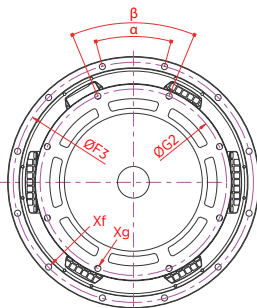
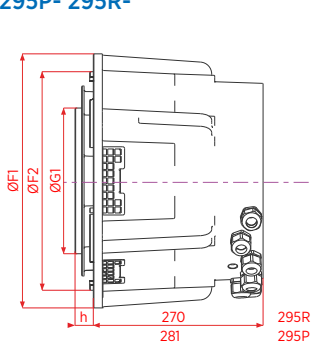
185P-



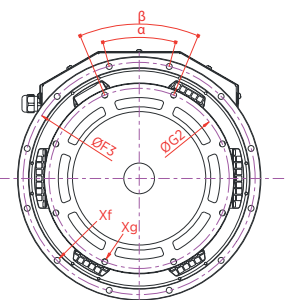
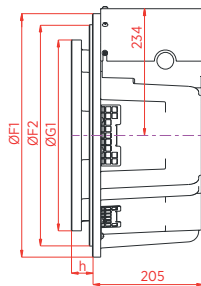
PMG 295 295S-



PMG 295 295P- 295R-



295M-



	SAE	Flange				
		ØF1	ØF2	ØF3	Xf	α
		[mm]				
PMG 185S-	5	363	314,33	333,40	Ø11 (8)	45°
	4	403	361,95	381	Ø11 (12)	30°
PMG 185P-	5	355	314,33	333,40	Ø11 (8)	45°
	4	403	361,95	381	Ø11 (12)	30°
PMG 295R-	4	425	361,95	381	Ø11 (8)	30°
PMG 295P- M-	4	425	361,95	381	Ø11 (12)	30°
	3	450	409,58	428,63	Ø11 (12)	30°

SAE	Joint				
	ØG1	ØG2	h	Xg	β
	[mm]				
6,5	215,90	200,02	30,2	Ø9 (6)	60°
7,5	241,30	222,25	30,2	Ø9 (8)	45°
11,5	352,42	333,37	39,6	Ø11 (8)	45°

	SAE	6,5	7,5	11,5
	PMG 185	5	X	X
4		X	X	
PMG 295	4	X	X	
	3			X

PMG 185 SAE 3 and PMG 295 SAE 5 available on request

NSM S.r.l.

Via Lazio 5/b
36015 Schio | Vicenza | Italy

T +39 0445 595888
F +39 0445 595800

info@nsmsrl.it
www.nsmsrl.it

