

# ALTERNATORI MONOFASE - 4 Poli

## SINGLE-PHASE ALTERNATORS - 4 Poles

### K132

Brushless a condensatore  
Brushless with Capacitor

### KR132

A spazzole con AVR-d  
Brush with AVR-d



Caratteristiche tecniche	
<b>K132</b>	
<b>Tensione standard</b>	
50Hz: 115/230V, 120/240V	
60Hz: 110/220V, 120/240V	
Altri valori a richiesta	
<b>Classe d'isolamento H</b>	
<b>Protezione IP 20</b>	
<b>T.H.D. ≤ 5%</b>	
<b>Precisione tensione +5%, -8% (cosφ = 1)</b>	
<b>Capacità di spunto (Icc ≥ 3In)</b>	
<b>KR132</b>	
<b>Tensione standard</b>	
50Hz: range 220÷240V	
60Hz: range 220÷240V	
Altri valori a richiesta	
<b>Classe d'isolamento H</b>	
<b>Protezione IP 20</b>	
<b>T.H.D. ≤ 6%</b>	
<b>Precisione tensione ± 1,5% (indipendentemente dal cosφ)</b>	
<b>Capacità di spunto (Icc ≥ 3In)</b>	
<b>Regolatore automatico di tensione AVR 760D</b>	
• Provvisto di protezioni per Sottovolatilità, Massima tensione, Massima corrente di eccitazione, Sovraccarico prolungato (max kVA)	
• Possibilità di regolare la tensione a distanza	

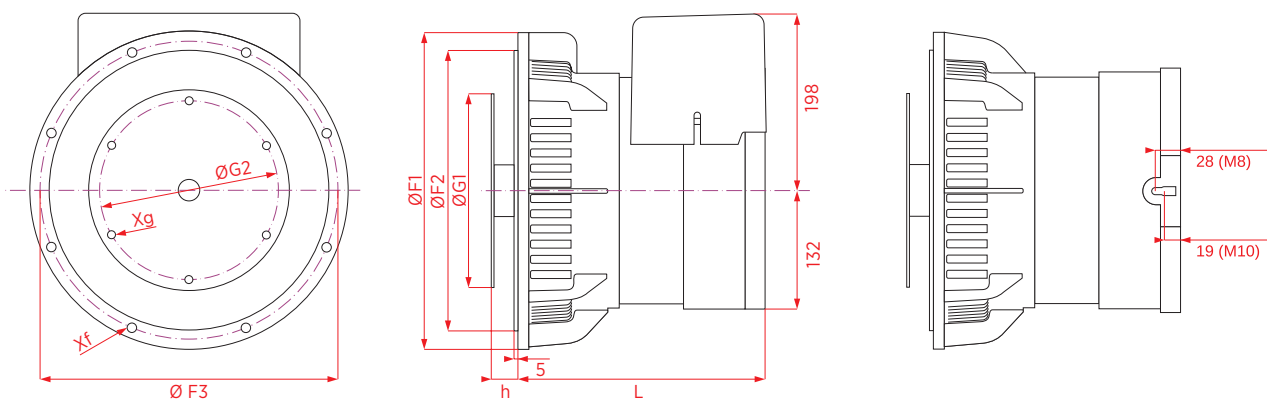
Technical characteristics	
<b>K132</b>	
<b>Standard voltage</b>	
50Hz: 115/230V, 120/240V	
60Hz: 110/220V, 120/240V	
Other voltages on request	
<b>Insulation class H</b>	
<b>Protection IP 20</b>	
<b>T.H.D. ≤ 5%</b>	
<b>Voltage accuracy +5%, -8% (cosφ = 1)</b>	
<b>Starting capacity (Icc ≥ 3In)</b>	
<b>KR132</b>	
<b>Standard voltage</b>	
50Hz: range 220÷240V	
60Hz: range 220÷240V	
Other voltages on request	
<b>Insulation class H</b>	
<b>Protection IP 20</b>	
<b>T.H.D. ≤ 6%</b>	
<b>Voltage accuracy ± 1,5% (regardless of cosφ)</b>	
<b>Starting capacity (Icc ≥ 3In)</b>	
<b>Automatic Voltage Regulator AVR 760D</b>	
• Supplied with protections for Underspeed, Maximum voltage, Maximum excitation current, Prolonged overload (max kVA)	
• Remotely adjustable voltage regulator	

Modello Model	Potenza Output Power		Potenza assorbita Driving Power		Potenza Output Power		Potenza assorbita Driving Power		Peso Weight		
	cosφ 1 [kVA]	cosφ 0,8 [kVA]	4/4 - cosφ 1 [kW]    η %		cosφ 1 [kVA]	cosφ 0,8 [kVA]	4/4 - cosφ 1 [kW]    η %		cone [kg]	B34 [kg]	SAE [kg]
	50Hz - 1500rpm				60Hz - 1800rpm						
K132 A	3,5	---	4,7	74,0	4,5	---	6,0	75,0	---	---	36
K132 B	5,0	---	6,5	77,0	6,0	---	7,7	78,0	---	---	41
K132 C	7,0	---	9,0	78,0	8,0	---	10,1	79,0	---	---	49
K132 D	8,5	---	10,8	79,0	10,0	---	12,5	80,0	---	---	57
KR132 A	3,5	2,8	4,7	74,0	4,5	3,2	6,0	75,0	---	---	38
KR132 B	5,0	4,0	6,5	77,0	6,0	4,8	7,7	78,0	---	---	43
KR132 C	7,0	5,5	9,0	78,0	8,0	6,5	10,1	79,0	---	---	51,5
KR132 D	8,5	6,8	10,8	79,0	10,0	8,0	12,5	80,0	---	---	60

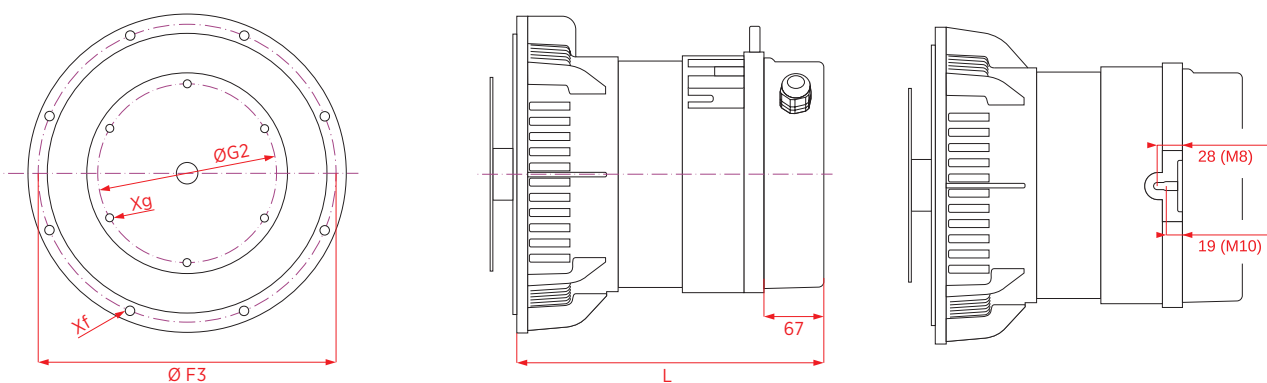
## Dimensioni di ingombro Overall Dimensions

### SAE

#### K132



#### KR132



SAE	Flangia   Flange			
	ØF1	ØF2	ØF3	Xf
	[mm]			
5	356	314,33	333,40	Ø11 (8)
4	404	361,95	381,00	Ø11 (12)

SAE	Giunto   Joint			
	ØG1	ØG2	E	Xg
	[mm]			
6,5	215,90	200,02	30,2	Ø9 (6)
7,5	241,30	222,25	30,2	Ø9 (8)

Model	K132	KR132
	L	
	[mm]	
A	248	315
B	268	335
C	293	360
D	318	385

Dati tecnici non impegnativi: NSM si riserva il diritto di apportare modifiche senza l'obbligo di darne preventiva comunicazione.

Technical data not binding: NSM reserves the right to modify the contents without prior notice.