

PMG

Permanent Magnet Generator AC Output



PMG is a complete range of Permanent Magnet Generators with AC output. Super compact, brushless and bearingless for easier maintenance, this generator is suitable for both fixed or variable speed applications.

Technical characteristics

Nominal voltage from 50 to 600 Vac

Output power from 1 kVA to 60 kVA

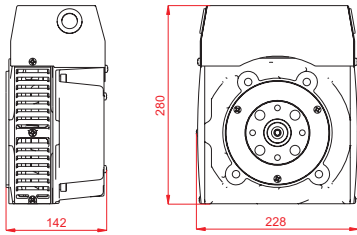
Insulation class H

Protection IP 21

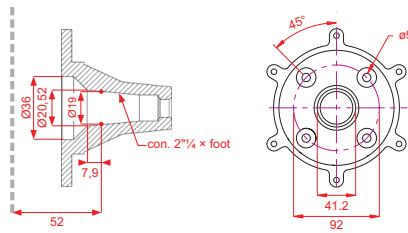
Model	Max Power						Weight	
	[kVA]	[kVA]	[kVA]	[kVA]	[kVA]	[kVA]	cone [kg]	SAE [kg]
	1000rpm	1500rpm	2000rpm	2400rpm	3000rpm	3600rpm		
PMG 150SB	1	1,7	2,4	3	4	4,8	10,5	----
PMG 150SC	2	3	4	4,8	6	7,2	11,5	----
PMG 185SC	2,8	4,5	6,5	8	10	12	16,5	15,5
PMG 185SF	4,5	7,5	10	13	18	21	20,5	19,5
PMG 295SB	8,5	13	17	19	23	27	----	39,5
PMG 295SF	14	21	27	30	36	44	----	47
PMG 295MH	18	28	36	40	50	60	----	59,5

Overall Dimensions

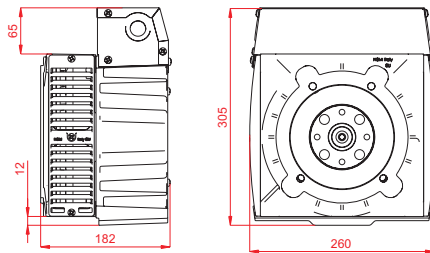
CONE PMG 150



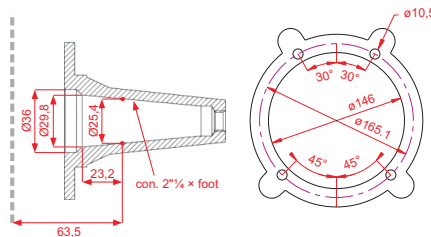
J609a C 19



PMG 185



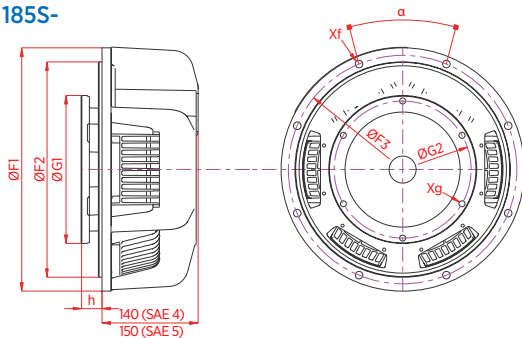
J609b C 25,4 C 35



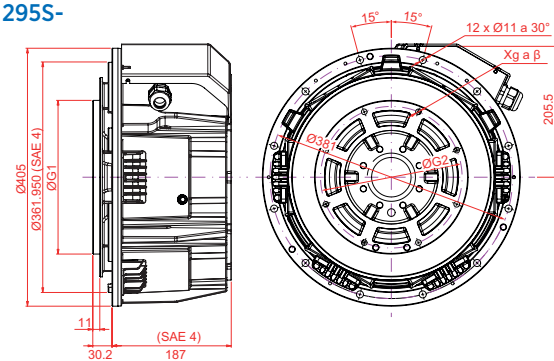
Cone	J609a	J609b
PMG 150	x	x
PMG 185		x

C23-C30 on request.

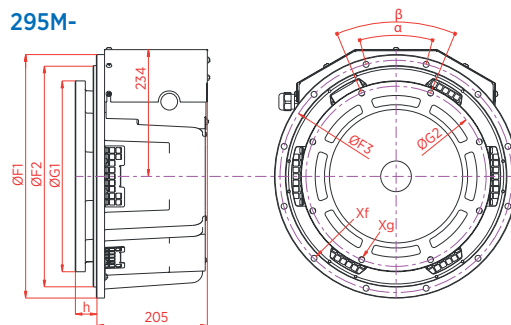
SAE PMG 185 185S-



PMG 295 295S-



295M-



	Flange					
	SAE	ØF1	ØF2	ØF3	Xf	α
		[mm]				
PMG 185S-	5	363	314,33	333,40	Ø11 (8)	45°
	4	403	361,95	381	Ø11 (12)	30°
PMG 295M-	4	425	361,95	381	Ø11 (12)	30°
	3	450	409,58	428,63	Ø11 (12)	30°

	Joint					
	SAE	ØG1	ØG2	h	Xg	β
		[mm]				
6,5	215,90	200,02	30,2	Ø9 (6)	60°	
7,5	241,30	222,25	30,2	Ø9 (8)	45°	
11,5	352,42	333,37	39,6	Ø11 (8)	45°	

	SAE			
	6,5	7,5	11,5	
PMG 185	5	X	X	
	4	X	X	
PMG 295	4	X	X	
	3			X

PMG 185 SAE 3 and PMG 295 SAE 5 available on request

NSM S.r.l.

Via Lazio 5/b
36015 Schio | Vicenza | Italy

T +39 0445 595888
F +39 0445 595800

info@nsmrli.it
www.nsmrli.it

