

ALTERNATORI TRIFASE - 4 Poli

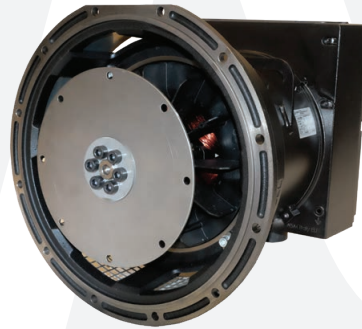
THREE-PHASE ALTERNATORS - 4 Poles

Z132

A spazzole e compound
Brush with Compound

ZR132

A spazzole con AVR
Brush with AVR



Caratteristiche tecniche	Technical characteristics
Z132 Tensione standard 50Hz: 230/400V, 240/415V 60Hz: 127/220V, 220/380V Altri valori a richiesta Classe d'isolamento H Protezione IP 23 T.H.D. ≤ 4% Precisione tensione ± 5% (cosφ = 0,9) Capacità di spunto (Icc = 3÷4In)	Z132 Standard voltage 50Hz: 230/400V, 240/415V 60Hz: 127/220V, 220/380V Other voltages on request Insulation class H Protection IP 23 T.H.D. ≤ 4% Voltage accuracy ± 5% (cosφ = 0,9) Starting capacity (Icc = 3÷4In)
ZR132 Tensione standard 50Hz: range 230÷240/400÷415V 60Hz: 127/220V, 220/380V Altri valori a richiesta Classe d'isolamento H Protezione IP 23 T.H.D. ≤ 4% Precisione tensione ± 1,5% (indipendentemente dal cosφ) Capacità di spunto (Icc ≥ 3In) Regolatore automatico di tensione AVR 960D <ul style="list-style-type: none"> • Provvisto di protezioni per Sottovolatilità, Massima tensione, Massima corrente di eccitazione, Sovraccarico prolungato (max kVA) • Possibilità di regolare la tensione a distanza 	ZR132 Standard voltage 50Hz: range 230÷240/400÷415V 60Hz: 127/220V, 220/380V Other voltages on request Insulation class H Protection IP 23 T.H.D. ≤ 4% Voltage accuracy ± 1,5% (regardless of cosφ) Starting capacity (Icc ≥ 3In) Automatic Voltage Regulator AVR 960D <ul style="list-style-type: none"> • Supplied with protections for Underspeed, Maximum voltage, Maximum excitation current, Prolonged overload (max kVA) • Remotely adjustable voltage regulator

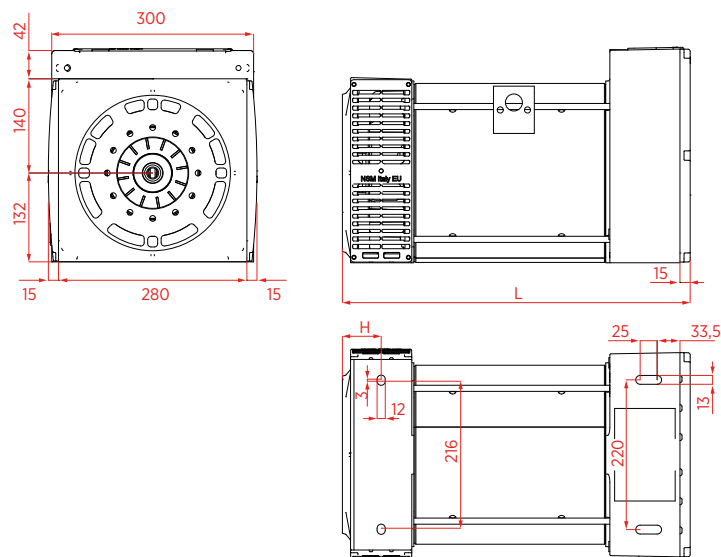
Modello Model	Potenza Output Power		Potenza assorbita Driving Power		Potenza Output Power		Potenza assorbita Driving Power		Peso Weight		
	3 ph cosφ 0,8 [kVA]	1 ph Y cosφ 1 [kVA]	4/4 - cosφ 0,8 [kW] η %		3 ph cosφ 0,8 [kVA]	1 ph Y cosφ 1 [kVA]	4/4 - cosφ 0,8 [kW] η %		cone [kg]	B34 [kg]	SAE [kg]
	50Hz - 1500rpm				60Hz - 1800rpm						
Z132 XSA	8,0	3,2	8,0	80,0	10,0	4,0	9,9	81,0	52,0	54,0	60,0
Z132 XSB	10,0	4,0	9,9	81,0	12,5	5,0	12,2	82,0	58,0	60,0	66,0
Z132 SA	13,0	5,0	12,5	83,0	16,0	6,5	15,2	84,0	68,0	70,0	76,0
Z132 SB	16,0	6,5	15,2	84,0	20,0	8,0	18,9	84,5	77,0	79,0	85,0
Z132 MA	20,0	8,0	18,6	86,0	25,0	10,0	23,1	86,5	94,0	96,0	102,0
Z132 LA	25,0	10,0	23,1	86,5	30,0	12,0	27,6	87,0	112,0	114,0	120,0
Z132 LB	30,0	12,0	27,6	87,0	35,0	14,0	31,8	88,0	124,0	126,0	132,0
ZR132 XSB	10,0	4,0	9,9	81,0	12,5	5,0	12,2	82,0	54,0	56,0	62,0
ZR132 SA	13,0	5,0	12,5	83,0	16,0	6,5	15,2	84,0	64,0	66,0	72,0
ZR132 SB	15,0	6,0	14,3	84,0	18,0	7,0	17,0	84,5	73,0	75,0	81,0
ZR132 MA	20,0	8,0	18,6	86,0	25,0	10,0	23,1	86,5	90,0	92,0	98,0
ZR132 LA	25,0*	10,0	23,1	86,5	30,0*	12,0	27,6	87,0	108,0	110,0	116,0
ZR132 LB	30,0*	12,0	27,6	87,0	35,0*	14,0	31,8	88,0	120,0	122,0	128,0

* Potenza in SAE; Cono e B34: declassamento della potenza del 10% | SAE Power; Cone and B34: power derating by 10%

Dimensioni di ingombro

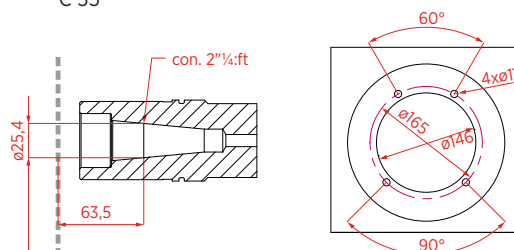
Overall Dimensions

CONE

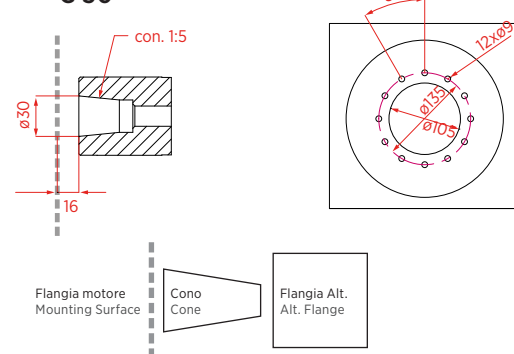


J609b

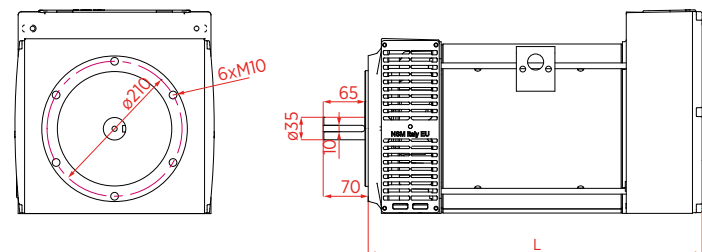
C 25,4
C 35



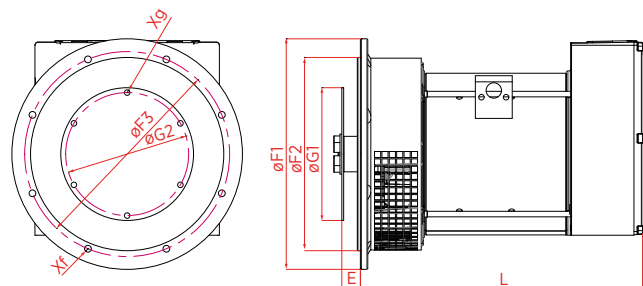
C 30



B34



SAE



SAE	Flangia Flange			
	ØF1	ØF2	ØF3	Xf
	[mm]			
5	375	314,33	333,40	Ø11 (8)
4	405	361,95	381,00	Ø11 (12)
3	450	409,58	428,63	Ø11 (12)

SAE	Giunto Joint			
	ØG1	ØG2	E	Xg
	[mm]			
6,5	215,90	200,02	30,2	Ø9 (6)
7,5	241,30	222,25	30,2	Ø9 (8)
8	263,52	244,48	62,0	Ø11 (6)
10	314,32	295,28	53,8	Ø11 (8)
11,5	352,42	333,37	39,6	Ø11 (8)

	cone		B34		SAE 5-4		SAE 3	
	L	H	L	H	L	H	L	H
	[mm]							
Z-TR132 XS-	411	57	419,5	65,5	410	---	400,5	---
Z-TR132 S-	461	57	469,5	65,5	460	---	450,5	---
Z-TR132 MA	511	57	519,5	65,5	510	---	500,5	---
Z-TR132 L-	606	57	614,5	65,5	605	---	595,5	---

Dati tecnici non impegnativi: NSM si riserva il diritto di apportare modifiche senza l'obbligo di darne preventiva comunicazione. Technical data not binding: NSM reserves the right to modify the contents without prior notice.