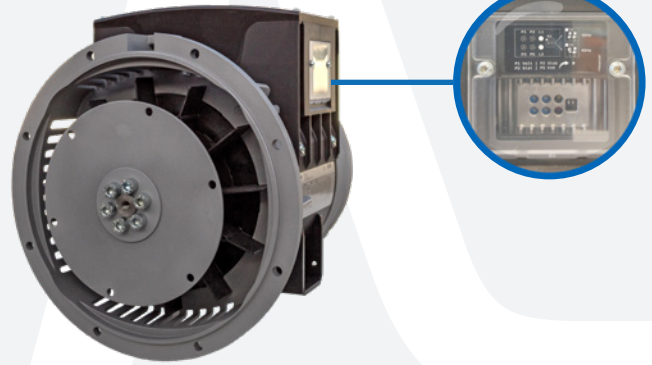


# BRUSHLESS ALTERNATORS WITH AVR-d 4 Poles

**COMPACT  
ZBC132**



Patent Pending  
Digital with 3 phase sensing



Possibility of adjusting the trimmers in absolute safety when the machine is running; operating status LEDs of the alternator are visible from the outside.

Technical characteristics		ZBC132	ZBC132 -1	ZBC132	ZBC132 -1
		Three-phase	Single-phase	Three-phase	Single-phase
Number of poles	4				
Rated power factor	0,8				1
Voltage accuracy	± 0,5%				
T.H.D.	< 4% phase to phase				< 5%
Rated temperature	-15°C ÷ 40°C				
Excitation system	Self-excited				
Execution	Brushless				
AVR model	AVR 625D - Digital with 3 phase sensing Right side (coupling side view) as standard - left on request				
Overload	110% of rated power for 1 hour in a 6-hour cycle				
Short circuit current	> 300% I <sub>n</sub>				
Insulation class	H				
Protection degree	IP20 (IP23 on request)				
Rated speed	1500 rpm at 50Hz - 1800 rpm at 60Hz				
Overspeed	2250 rpm				
Rotation direction	CW - CCW				
Air flow requirement	3,5 m3/min at 1500rpm - 4,2 m3/min at 1800rpm				
NDE bearing type	6207 2RSC3				
Stator windings	Single layer with auxiliary windings				
Rotor	With damping cage				
Number of leads	6 (12 on request)			4	
Standards	IEC 34-1; EN60034-1; EN6034-22; ISO 8528-3				
Electromagnetic compatibility	EN61000-6-2; EN61000-6-4				
Union Harmonization Legislation	2014/35/EU (Low Voltage); 2014/30/EU (EMC)				

		50Hz - 1500rpm					60Hz - 1800rpm						
		S1 continuous 40/125°C cl. H				Stand-by 27/163°C	S1 continuous 40/125°C cl. H				Stand-by 27/163°C		
		3ph p.f. = 0,8				3ph p.f. = 0,8	3ph p.f. = 0,8				3ph p.f. = 0,8		
Voltage	Star Y	380	<b>400</b>	415	Eff. 4/4 load 400V	400	380	416	440	460	<b>480</b>	Eff. 4/4 load 480V	480
	Parallel star YY (*)	190	200	208		200	190	208	220	230	240		240
	Delta Δ	220	<b>230</b>	240		230	220	240	254	265	<b>277</b>		277
	Parallel delta ΔΔ (*)	110	115	120		115	110	120	127	133	138		138
	Model	[kVA]			η %	[kVA]	[kVA]				η %	[kVA]	
Power	ZBC132 XSA	8	<b>8</b>	8	80	8,8	8,5	9	9,5	9,5	<b>10</b>	80,5	11
	ZBC132 XSB	10	<b>10</b>	10	81	11	11	12	12,5	13	<b>13,5</b>	81,5	14,9
	ZBC132 SA	12	<b>12</b>	12	83	13,2	13	13,5	14	14,5	<b>15</b>	83,5	16,5
	ZBC132 SB	14,5	<b>15</b>	15	85	16,5	15,5	16,5	17,5	18	<b>19</b>	85,5	20,9
	ZBC132 MA	18	<b>18</b>	18	86,5	19,8	20	21	22	22,5	<b>23,5</b>	87	25,9
	ZBC132 MB	20	<b>20</b>	19	86,5	22	22	23	24	25	<b>25</b>	87	27,5

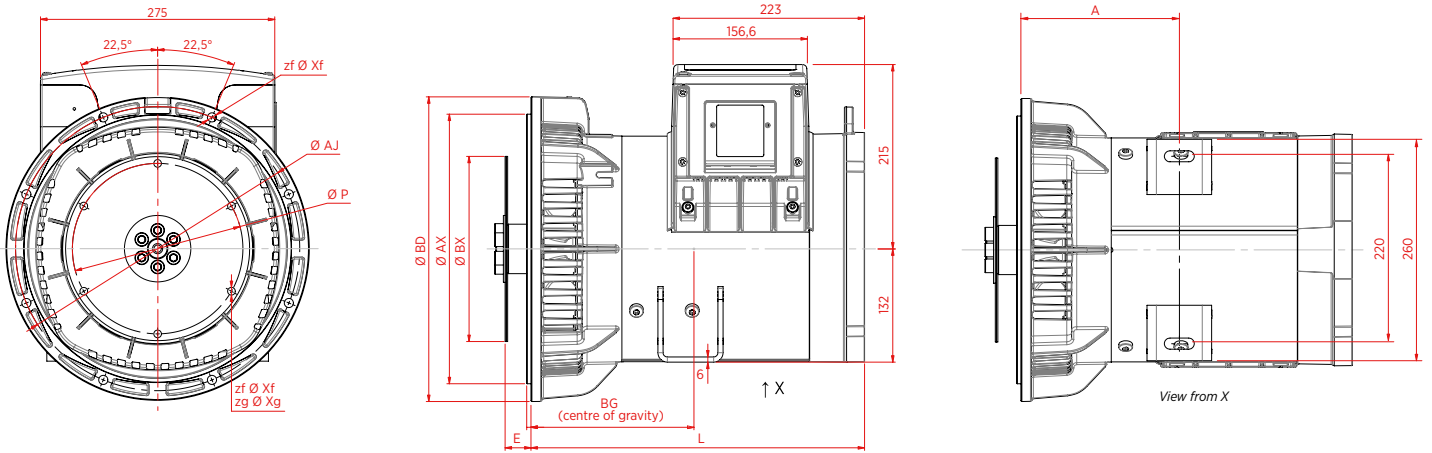
(\*) Available on request  
Power S1 cl.H (ΔT=125°C) - below 1000m AMSL - A.T. < 40°C

		50Hz - 1500rpm					60Hz - 1800rpm							
		S1 continuous 40/125°C cl. H				Stand-by 27/163°C	S1 continuous 40/125°C cl. H				Stand-by 27/163°C			
		p.f. = 1				p.f. = 0,8	p.f. = 1	p.f. = 0,8	p.f. = 1				p.f. = 0,8	
Voltage	Series	<b>220-230-240</b>		Eff. 4/4 load 230V	220-230-240	220-230-240	220	230	<b>240</b>	Eff. 4/4 load 240V	240	240		
	Parallel	110-115-120			110-115-120	110-115-120	110	115	120		120	120		
	Model	[kVA]			η %	[kVA]		[kVA]			η %	[kVA]	[kVA]	[kVA]
Power	ZBC132 XSA-1	<b>5</b>		79	4	5,5	4,4	5,3	5,5	<b>5,7</b>	79,5	4,6	6,3	5
	ZBC132 XSB-1	<b>7</b>		80,5	5,6	7,7	6,2	7,3	7,6	<b>8</b>	81	6,4	8,8	7
	ZBC132 SA-1	<b>9</b>		82	7,2	9,9	8	9,5	10	<b>10,5</b>	82,5	8,4	11,6	9,2
	ZBC132 SB-1	<b>10,5</b>		83,5	8,4	11,6	9,2	11	11,5	<b>12</b>	84	9,6	13,2	10,6
	ZBC132 MB-1	<b>13</b>		85	10,4	14,3	11,4	13,5	14	<b>14,5</b>	85,5	11,6	16	12,8

Power S1 cl.H (ΔT=125°C) - below 1000m AMSL - A.T. < 40°C

# Overall Dimensions

## SAE 5 - SAE 4



	A	L	Weight	
			SAE 5	SAE 4
	[mm]	[mm]	[kg]	
ZBC132 XSA	186	339	55	56
ZBC132 XSB	186	339	61	62
ZBC132 SA	186	389	72	73
ZBC132 SB	186	389	79	80
ZBC132 MA	215	449	96	97
ZBC132 MB	215	449	99	100

	A	L	Weight	
			SAE 5	SAE 4
	[mm]	[mm]	[kg]	
ZBC132 XSA-1	186	339	54	55
ZBC132 XSB-1	186	339	60	61
ZBC132 SA-1	186	389	71	72
ZBC132 SB-1	186	389	77	78
ZBC132 MB-1	215	449	97	98

	BG	
	SAE 5-6,5	SAE 4-7,5
	[mm]	
ZBC132 XSA	164	162
ZBC132 XSB	166	164
ZBC132 SA	185	183
ZBC132 SB	190	188
ZBC132 MA	217	215
ZBC132 MB	219	217

SAE	Flange				
	AX	BD	AJ	Xf	zf
5	314,325	355	333,37	11	8
4	361,95	404	381	11	12

SAE	Joint				
	E	BX	P	Xg	zg
6,5	30,2	215,9	200,02	9	6
7,5	30,2	241,3	222,25	9	8